

Cobra 350

Small SCARA robot for precision machining, assembly, and material handling

- Ethernet capability to control the robot through the familiar programming language (IEC 61131-3) of Machine Automation controller NJ/NX series
- High repeatability suitable for precision assembly
- High payload for screw-driving tools
- The separate amplifier with a built-in controller minimizes the robot footprint
- Reach 350 mm
- Maximum payload 5 kg
- Weight 20 kg
- Protection IP20
- Cleanroom class 10 option



Specifications

Product name		Cobra
	Size	350
Model		1720□-13000
Number of axes		4
Mounting		table/floor
Reach		350 mm
Maximum Payload		5 kg
Repeatability	XY	±0.015 mm
	Z	±0.01 mm
	Theta	±0.005°
Joint Range	Joint 1	±155°
	Joint 2	±145°
	Joint 3	200 mm
	Joint 4	±360°
Joint Speeds	Joint 1	720°/s
	Joint 2	720°/s
	Joint 3	2000 mm/s
	Joint 4	2400°/s
Power Requirements		24 VDC: 6 A 200 to 240 VAC: 10 A, single-phase
Protection		IP20
Environment Requirements	Ambient Temperature	5 to 40°C
	Humidity Range	5 to 90% (non-condensing)
Weight		20 kg
Basic configuration	Controller	eAIB
	On-board I/O (Input/Output)	12/8
	Conveyor tracking input	2
	RS-232C serial communications port	1
	Programming environment	ACE, PackXpert, PLC
	ePLC Connect	Yes
	ePLC I/O	Yes
Connectable controller *1		eMotionBlox-40R, SmartController EX, NJ/NX Series *2

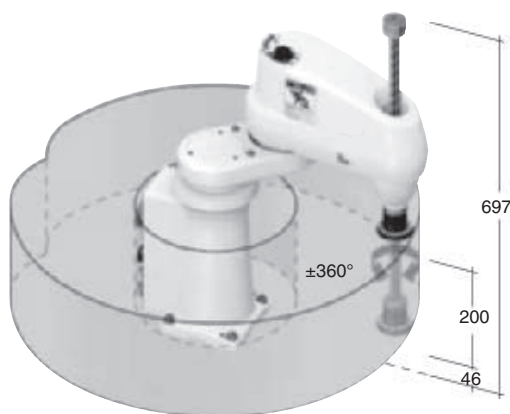
*1. Choose a controller to suit your application.

*2. The robot version 2.3.C is required to connect with the NX/NJ Series.

Dimensions

(Unit: mm)

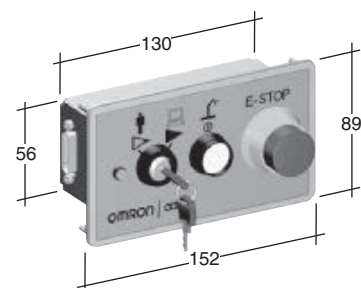
Cobra 350



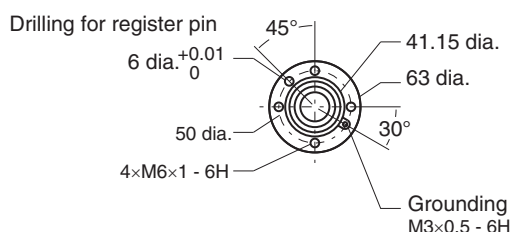
eMotion Blox-40R



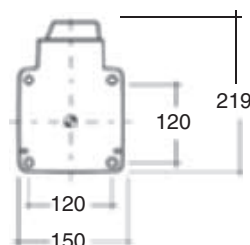
Front panel



Flange



Footprint



Robot Parts Code and Bundled Accessories

Type	Cobra 350	Cobra 350 Add-On
Cobra 350	17201-13000	17203-13000
Overview	Robot + eMotionBlox amplifier with fully integrated controls	Robot + eMotionBlox + required connection cables
Purpose	Typical for use in single robot system	Typically added to systems with an existing SmartController EX to create multi-robot systems
Bundled Accessories	<ul style="list-style-type: none"> XSYS cable with jumpers, 2m/6ft (13323-000) Front panel kit (90356-10358) 	<ul style="list-style-type: none"> XSYS cable with jumpers, 2m/6ft (13323-000) XSYS cable, 5m/15 ft (11585-000) DB9 splitter (00411-000) 1394 latch cable, 5m/15 ft, 13632-045) eV+ license to connect to controller (14529-103)

Note: OMRON also provides other types of model. Ask your OMRON sales representative for details.

OMRON Corporation Industrial Automation Company
Tokyo, JAPAN

Contact: industrial.omron.eu

Regional Headquarters

OMRON EUROPE B.V.
Sensor Business Unit
Carl-Benz-Str. 4, D-71154 Nufringen, Germany
Tel: (49) 7032-811-0/Fax: (49) 7032-811-199

OMRON ELECTRONICS LLC
2895 Greenspoint Parkway, Suite 200
Hoffman Estates, IL 60169 U.S.A
Tel: (1) 847-843-7900/Fax: (1) 847-843-7787

OMRON ASIA PACIFIC PTE. LTD.
No. 438A Alexandra Road # 05-05/08 (Lobby 2),
Alexandra Technopark,
Singapore 119967
Tel: (65) 6835-3011/Fax: (65) 6835-2711

OMRON (CHINA) CO., LTD.
Room 2211, Bank of China Tower,
200 Yin Cheng Zhong Road,
PuDong New Area, Shanghai, 200120, China
Tel: (86) 21-5037-2222/Fax: (86) 21-5037-2200

Authorized Distributor:

© OMRON Corporation 2016 All Rights Reserved.
In the interest of product improvement,
specifications are subject to change without notice.

Cat. No. I260E-EN-01