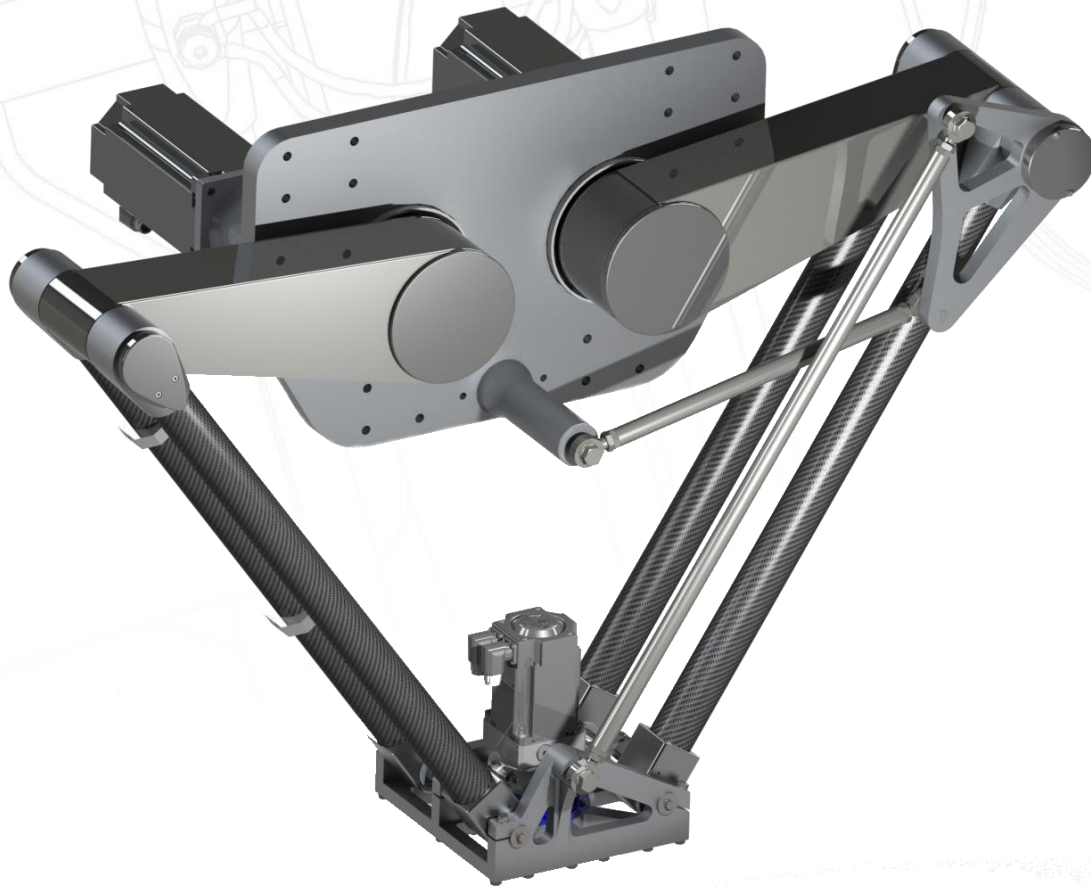




CODIAN
ROBOTICS



The leading innovator of Pick & Place Robots

D2-1500-HP

The new standard for Picking & Placing

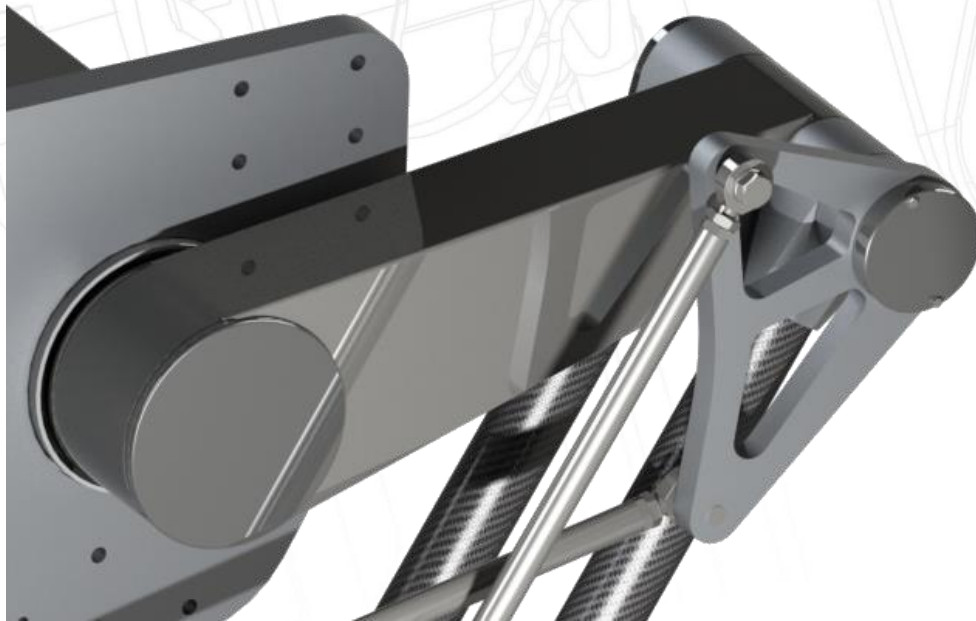
The Codian Robotics D2-1500-HP two of three axis delta robot is ideal for high speed toploding pick & place processes. The proven design with a minimum of mechanical components results in a high quality robot.

The parallel kinematics design is clean, fast and silent. The D2-1500-HP is designed to perform with high payloads up to 100 kg and has a working envelope of 1500 mm. The robot can be controlled by many different PLC and motion control systems.

- ❖ Open platform for servo motors and control systems.
- ❖ ISO mount gripper interface.
- ❖ Materials: carbon fibre, stainless steel and anodized aluminum.
- ❖ Zero footprint.
- ❖ Completely maintenance-free.



CODIAN
ROBOTICS



D2-1500-HP

The new standard for Picking & Placing

Specifications

Kinematic structure: delta type
Degrees of freedom: 2+1*
Protection: IP 65
Noise level: < 70 dB(A)
Weight: 140 kg

*with optional rotation

Performance

Rated working range: 1500 x 430 mm
Rotation(Rz): angle unlimited*
Payload(max.): 100 kg
Pick & Place actions: max. 30 p/min
Position repeatability X,Y,Z: ± 0.3 mm
Angular repeatability Rz*: $\pm 0.1^\circ$
Limitation rotation torque*: 120Nm

*with optional rotation

Working Area

