



LOGICAL INNOVATION FOR PICK AND PLACE ROBOTICS

D4-800-2/D4-1100-2/D4-1300-2

The Codian Robotics D4-800-2/D4-1100-2/D4-1300-2 three- or four-axis delta robots are ideal for high speed toploding pick & place processes.

The parallel kinematics design is clean, fast and silent. These robots are designed to perform with payloads up to 3 kg and have a working envelope of Ø 800/1100/1300 mm. The robots can be controlled by many different PLC and motion control systems. Combined with a vision system, they can also be used for random and/or mixed product flow picking.

- Open platform for servo motors and control systems
- Designed for applications up to 15G
- ISO mount gripper interface
- Materials: carbon fibre, stainless steel, anodized aluminium, titanium, plastic
- Zero footprint
- Low maintenance, easy access to components



CODIAN
ROBOTICS

D4-800-2/D4-1100-2/D4-1300-2

THE NEW STANDARD FOR PICKING AND PLACING

SPECIFICATIONS

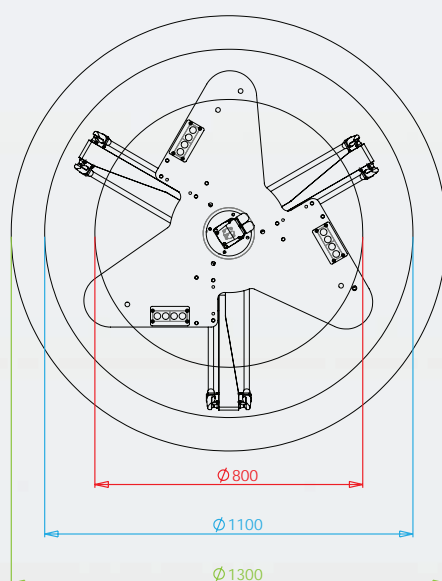
Kinematic structure:	delta type
Degrees of freedom:	3+1*
Protection:	IP 65
Noise level:	< 68 dB(A)
Weight:	65 kg

*with optional rotation axis

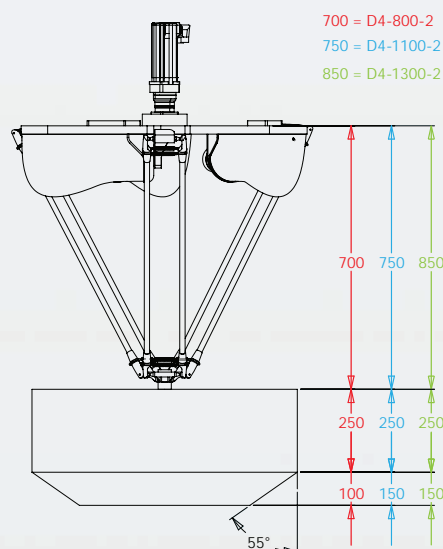
PERFORMANCE

Rated working range:	Ø 800/1100/1300 x 250 mm (see drawing)
Payload (max.):	3 kg
Pick and Place actions	
D4-800-2:	max. 200 p/min
D4-1100-2:	max. 180 p/min
D4-1300-2:	max. 150 p/min
Position repeatability X,Y,Z:	± 0.1mm
Rotation axis Rz (optional):	angle unlimited angular repeatability Rz ± 0.3 ° limitation rotation axis torque 16Nm

WORKING AREA



800 = D4-800-2
1100 = D4-1100-2
1300 = D4-1300-2



700 = D4-800-2
750 = D4-1100-2
850 = D4-1300-2

