



LOGICAL INNOVATION FOR
PICK AND PLACE ROBOTICS

D4-500-2

The Codian Robotics D4-500-2 three- or four-axis delta robot is ideal for high speed toploading pick & place processes.

The parallel kinematic design is clean, fast and silent. The D4-500-2 is designed to perform with payloads up to 2 kg and has a working envelope of Ø 500 mm

The robot can be controlled by many different PLC and motion control systems.. Combined with a vision system, it can also be used for random and/or mixed product flow picking.

- Open platform for servo motors and control systems
- Designed for applications up to 15G
- ISO mount gripper interface
- Materials: carbon fibre, anodized aluminium, titanium, plastic
- Zero footprint
- Low maintenance, easy accessible



CODIAN
ROBOTICS

D4-500-2

THE NEW STANDARD FOR PICKING AND PLACING

SPECIFICATIONS

Kinematic structure:	delta type
Degrees of freedom:	3+1*
Protection:	IP 65
Noise level:	< 68 dB(A)
Weight:	25 kg

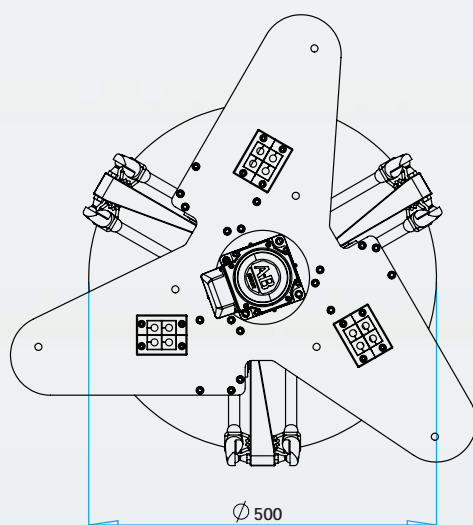
*with optional rotation axis

PERFORMANCE

Rated working range:	Ø 500 x 155 mm
	Ø 500 x 135 mm*
Rotation-Axis (Rz):	angle unlimited*
Payload (max.):	2 kg
Pick and Place actions:	max. 200 p/min
Position repeatability X,Y,Z:	± 0.1 mm
Angular repeatability Rz*:	± 0.3 °
Limitation rotation axis torque*:	16 Nm

*with optional rotation axis

WORKING AREA



442 = D4-500-2
467 = D4-500-2 with rotation axis

