



CODIAN
ROBOTICS

**LOGICAL INNOVATION FOR
PICK AND PLACE ROBOTICS**

D5-800/D5-1100/D5-1300

The Codian Robotics D5-800/D5-1100/D5-1300 five-axis delta robots are ideal for high-speed top loading pick and place processes.

The chosen concept with 2 parallel axis results in the fastest, most robust delta pick & place robot with five axis in the world.

The parallel kinematics design is clean, fast and silent. The D5-800/D5-1100/D5-1300 delta pick and place robots are designed to perform with payloads up to 1,5 kg and have a working envelope of Ø 800/1100/1300 mm. The robots can be controlled by many different PLC and motion control systems. Combined with a vision system, they can also be used for random and/or mixed product flow picking.

- Open platform for servo motors and control systems
- Designed for applications up to 15G
- ISO mounted gripper plate
- Materials: carbon fibre, stainless steel, titanium, anodized aluminium, plastic
- Zero footprint
- Low maintenance, easy access to components



CODIAN
ROBOTICS

D5-800/D5-1100/D5-1300

THE NEW STANDARD FOR PICKING AND PLACING

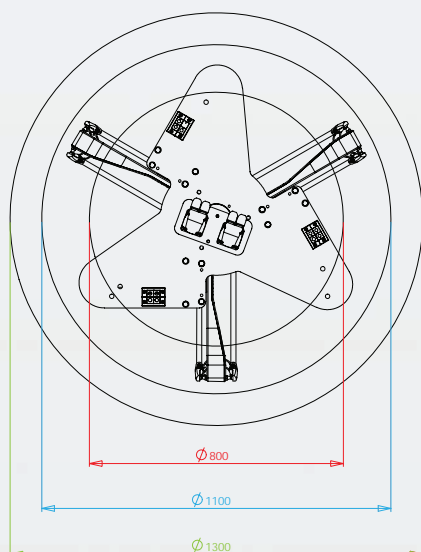
SPECIFICATIONS

| | |
|----------------------|------------|
| Kinematic structure: | delta type |
| Degrees of freedom: | 5 |
| Protection: | IP 65 |
| Noise level: | < 68 dB(A) |
| Weight: | 70 kg |

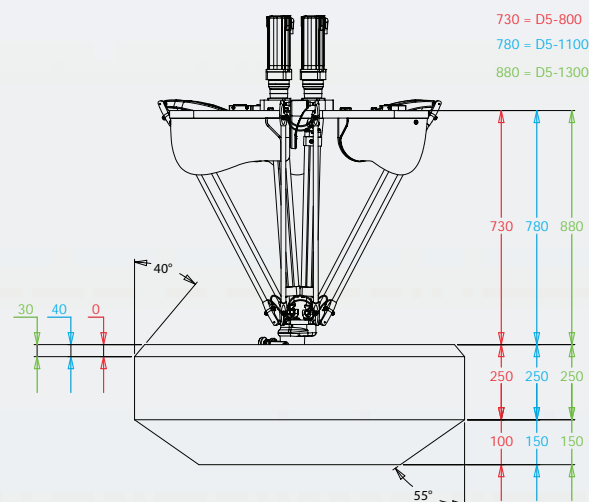
PERFORMANCE

| | |
|-------------------------------|---|
| Rated working range: | Ø 800/1100/1300 x 250 mm (see drawing) |
| Payload (max.): | 1,5 kg |
| Pick and Place actions | |
| D5-800: | max. 130 p/min |
| D5-1100: | max. 125 p/min |
| D5-1300: | max. 120 p/min |
| Position repeatability X,Y,Z: | ± 0.1mm |
| Angular repeatability: | ± 0.3° |
| Rotation axis: | angle unlimited limitation rotation axis torque 16 Nm |
| Tilt axis: | mechanically limited limitation tilt axis torque 12,5 Nm |

WORKING AREA



800 = D5-800
1100 = D5-1100
1300 = D5-1300



730 = D5-800
780 = D5-1100
880 = D5-1300

